

THERMAL DYNAMICS®

GAME CHANGING CNC

Thermal Dynamics® introduces
iCNC® PERFORMANCE



Thermal Dynamics brings to market a game changing CNC. Introducing the iCNC Performance – making it possible to build low-cost, full-featured plasma systems with professional high-end quality and performance.



We Bring Intelligence to the Table.™

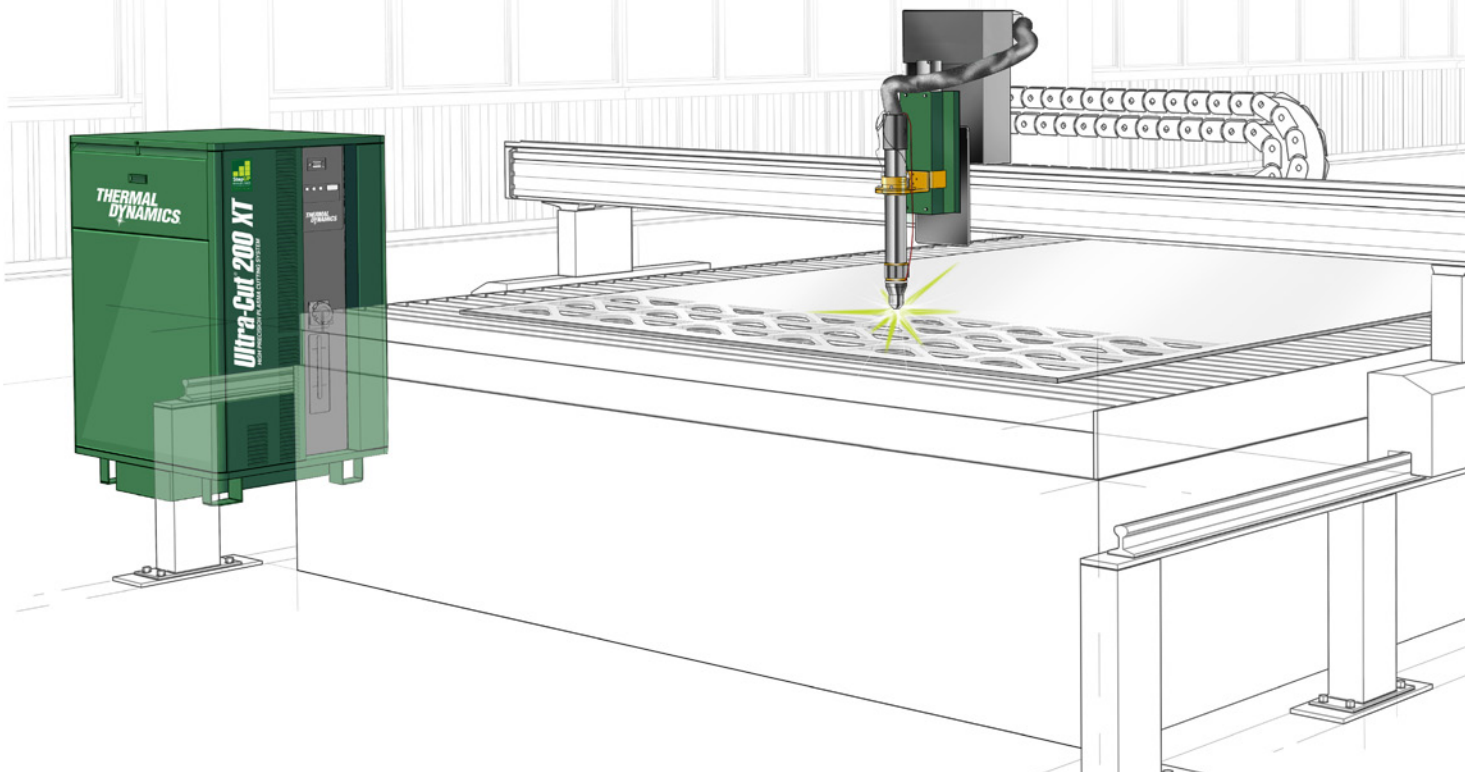
Thermal Dynamics® introduces

iCNC PERFORMANCE

Integrated plasma systems have revolutionized the high-end, high-capacity, automated plasma cutting industry. Today Thermal Dynamics' iCNC Performance makes it possible to build low-cost machines with high-end, professional performance that until now have been unavailable. It's a true industry Game Changer.

Thermal Dynamics – Changes the Game

- Professional system performance
- Integrated, full-featured systems for any size cutting table
- Now made affordable



We Bring Intelligence to the Table.™

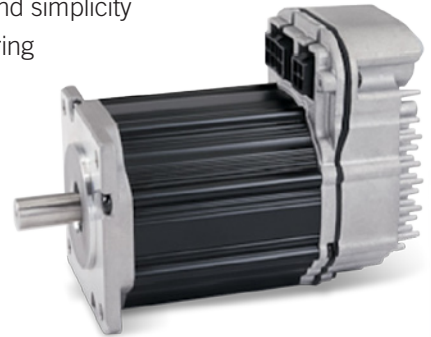
Optional Built-In Torch Height Control

- Selecting material, thickness and process is all you need to do. Includes seamlessly integrated advanced torch height control
- Select a lifter with 4" or 8" stroke, both have collision protection
- Built-in laser pointer for easy torch positioning
- Voltage sampling to compensate for electrode wear
- 2 ways to sense the plate: ohmic contact & torch holder sensors (also used for Collision Sense)
- Parameters from process data base set automatically: ignition height, pierce height, stay-up-time, pierce time, cut height, arc voltage, etc.
- Review the statistics from completed work



Optional Servo Motors with Built-In Amplifiers

- Connect motors direct to iCNC Performance
- True brushless servo performance with stepper-like costs and simplicity
- Simple, low cost wiring



Ideal with Thermal Dynamics Plasma Systems

- Works seamlessly together
- Process databases built into the system
- All premade cables available for use when built-in iHC, Thermal Dynamics lifter, plasmas and smart motors are used. No need for any additional relays.
- Extremely low cost operation
- Maximum performance
- Virtually eliminate operator errors
- Ideal cut quality



***The iCNC Performance from Thermal Dynamics®...
true state-of-the-art control for plasma cutting systems.***

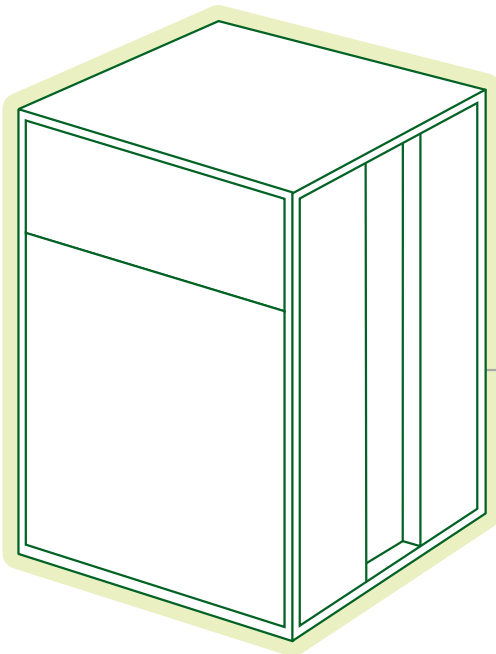
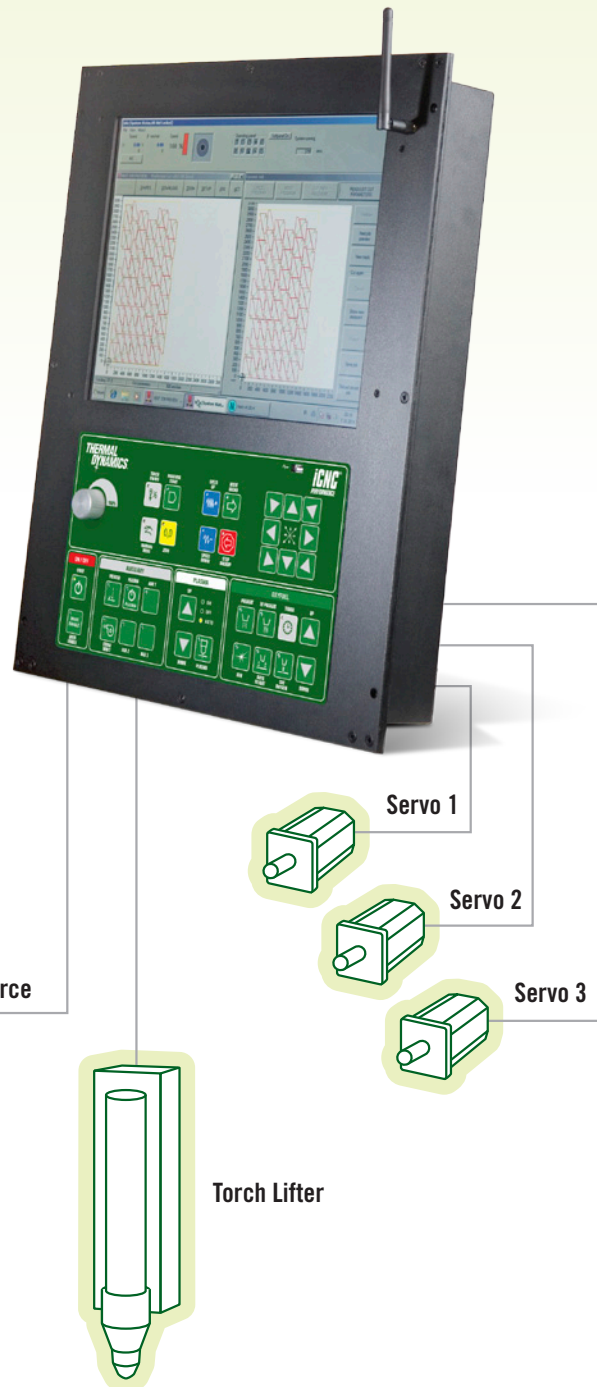
Thermal Dynamics® introduces

iCNC PERFORMANCE

Hi Performance, Low Cost CNC

A CNC dedicated to plasma & oxy-fuel cutting

- Thin panel mount unit 409 mm x 492 mm x 73 mm (W16.1" x H19.4" x D2.9")
- 15" Touch Screen
- Operator panel for plasma, oxy-fuel & auxiliary functions
- Built-in WiFi
- 3-axis drive outputs (both analog & step/direction)
- 3 encoder inputs
- Programmable I/O (16 IN / 20 OUT, active low)
- Power input 24 VDC
- Optional integrated plasma height control
- Optional servo motors with built-in amplifiers



Plasma Power Source

Torch Lifter

**THERMAL
DYNAMICS**