

Hypertherm®

HyPerformance™ Plasma HPR130™

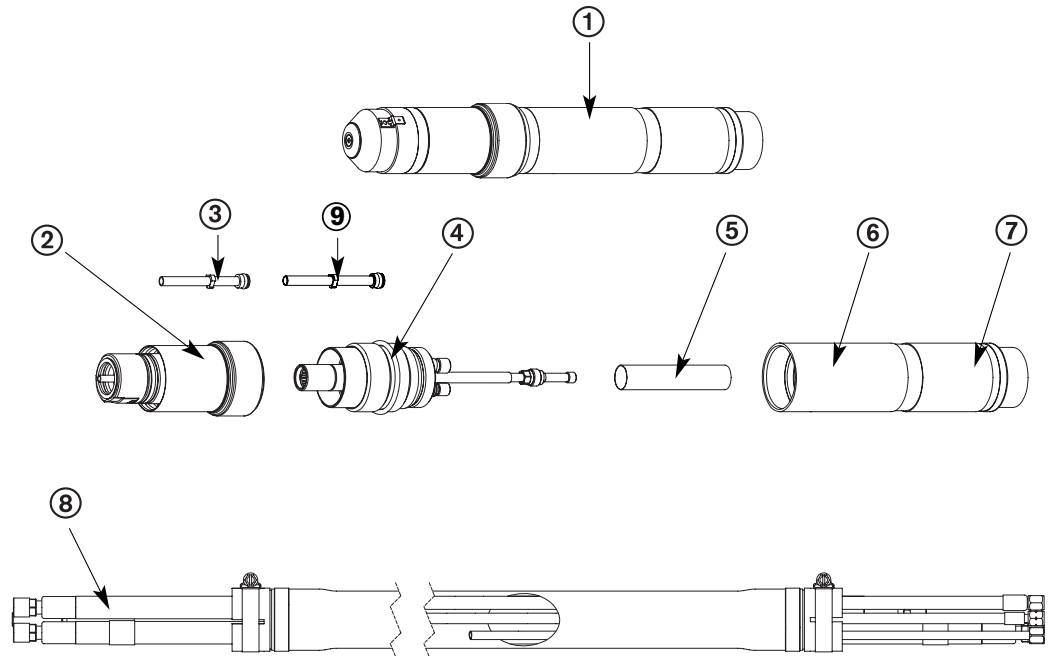
Consumables



| | Shield cap | Shield | Retaining cap | Nozzle | Swirl ring | Electrode |
|------------------------|------------|--------|--|--------|------------|------------------------------|
| Mild steel | | | | | | |
| 30 A | 220173 | 220194 | 220313 | 220193 | 220180 | 220192 |
| 50 A | 220173 | 220555 | 220313 | 220554 | 220553 | 220552 |
| 80 A | 220173 | 220189 | 220176 | 220188 | 220179 | 220187 |
| 130 A | 220173 | 220183 | 220176 | 220182 | 220179 | 220181 |
| 130 A bevel | | | | | | |
| | 220398 | 220645 | 220603 | 220646 | 220179 | 220649 |
| Stainless steel | | | | | | |
| 45 A | 220173 | 220202 | 220304 | 220201 | 220180 | 220308 |
| 80 A | 220173 | 220338 | 220304 | 220337 | 220179 | 220339 |
| 130 A | | | | | | |
| | 220173 | 220198 | 220304 (H35) 220176 (N ₂) | 220197 | 220179 | 220307 |
| 130 A bevel | | | | | | |
| | 220398 | 220609 | 220608 | 220656 | 220179 | 220606 |
| Aluminum | | | | | | |
| 45 A | | 220202 | 220304 | 220201 | 220180 | 220308 |
| 130 A | | | | | | |
| | 220173 | 220198 | 220304 (H35) 220176 (Air) | 220197 | 220179 | 220307 (H35) 220181 (Air) |

| MATERIAL | CONSUMABLE DESCRIPTION | 130 A | 80 A | 50 A | 45 A | 30 A | Bevel cutting 130 A |
|-----------------|------------------------|--|--------|--------|--------|--------|---------------------|
| Mild steel | Electrode | 220181 | 220187 | 220552 | ----- | 220192 | 220649 |
| | Swirl ring | 220179 | 220179 | 220553 | ----- | 220180 | 220179 |
| | Nozzle | 220182 | 220188 | 220554 | ----- | 220193 | 220646 |
| | Inner retaining cap | 220176 | 220176 | 220313 | ----- | 220313 | 220603 |
| | Shield | 220183 | 220189 | 220555 | ----- | 220194 | 220645 |
| | Shield cap | 220173 | 220173 | 220173 | ----- | 220173 | 220398 |
| Stainless steel | Electrode | 220307 | 220339 | ----- | 220308 | ----- | 220606 |
| | Swirl ring | 220179 | 220179 | ----- | 220180 | ----- | 220179 |
| | Nozzle | 220197 | 220337 | ----- | 220201 | ----- | 220656 |
| | Inner retaining cap | 220304 (H35) 220176 (N ₂) | 220304 | ----- | 220304 | ----- | 220608 |
| | Shield | 220198 | 220338 | ----- | 220202 | ----- | 220609 |
| | Shield cap | 220173 | 220173 | ----- | 220173 | ----- | 220398 |
| Aluminum | Electrode | 220307 (H35) 220181 (Air) | ----- | ----- | 220308 | ----- | ----- |
| | Swirl ring | 220179 | ----- | ----- | 220180 | ----- | ----- |
| | Nozzle | 220197 | ----- | ----- | 220201 | ----- | ----- |
| | Inner retaining cap | 220304 (H35) 220176 (Air) | ----- | ----- | 220304 | ----- | ----- |
| | Shield | 220198 | ----- | ----- | 220202 | ----- | ----- |
| | Shield cap | 220173 | ----- | ----- | 220173 | ----- | ----- |

HyPerformance Plasma HPR130 Torch Assembly



| ITEM NO. | PART NO. | DESCRIPTION |
|----------|----------|---|
| 1 | 128818 | HPR130 torch assembly |
| 2 | 220162 | Quick-disconnect torch |
| 3 | 220340 | Water tube with O-Ring |
| 4 | 220163 | Quick-disconnect receptacle |
| 5 | 024249 | Insulating sleeve |
| 6 | 220164 | Torch mounting sleeve |
| 7 | 220232 | Torch mounting sleeve assembly (includes item number 8) |
| | 128879 | Torch kit: Bullet plugs, O-Rings, water tube and seal |
| | 128880 | Quick-disconnect kit: O-Ring and connector |
| 8 | 128784 | 25' (7.5 m) Leads |
| 8 | 128785 | 50' (15 m) Leads |
| 9 | 220700 | Bevel water tube (mild steel – 130 A) |
| 9 | 220571 | Bevel water tube (stainless steel – 130 A) |

Hypertherm and HyPerformance are trademarks of Hypertherm, Inc., and may be registered in the United States and/or other countries.

Hypertherm®

www.hypertherm.com

Hypertherm, Inc. USA 603-643-3441 Tel 603-643-5352 Fax consumable.info@hypertherm.com

Hypertherm Automation USA 603-298-7970 Tel 603-298-7977 Fax info@hyperthermautomation.com

Hypertherm Plasmatechnik GmbH Deutschland 49 6181 58 2100 Tel 49 6181 58 2134 Fax
HTDeutschland.info@hypertherm.com

Hypertherm (S) Pte Ltd. Singapore 65 6841 2489 Tel 65 6841 2490 Fax
HTSingapore.info@hypertherm.com

Hypertherm (Shanghai) Trading Co., Ltd. PR China 86-21 5258 3330 /1 Tel 86-21 5258 3332 Fax
HTChina.info@hypertherm.com

Hypertherm Branch of Hypertherm UK, LLC England 00 800 3324 9737 Tel 00 800 4973 7329 Fax
HTUK.info@hypertherm.com

France (Representative office) 00 800 3324 9737 Tél 00 800 4973 7329 Fax HTFrance.info@hypertherm.com

Hypertherm Europe B.V. Nederland 31 165 596907 Tel 31 165 596901 Fax
HTEurope.info@hypertherm.com

Hypertherm Japan Ltd. 81 6 6170 2020 Tel 81 6 6170 2015 Fax HTJapan.info@hypertherm.com

HYPERTHERM BRASIL LTDA. 55 11 6409 2636 Tel 55 11 6408 0462 Fax HTBrasil.info@hypertherm.com

Mexico (Representative office) 52 55 5681 8109 Tel 52 55 5683 2127 Fax ventas@hypertherm.com.mx